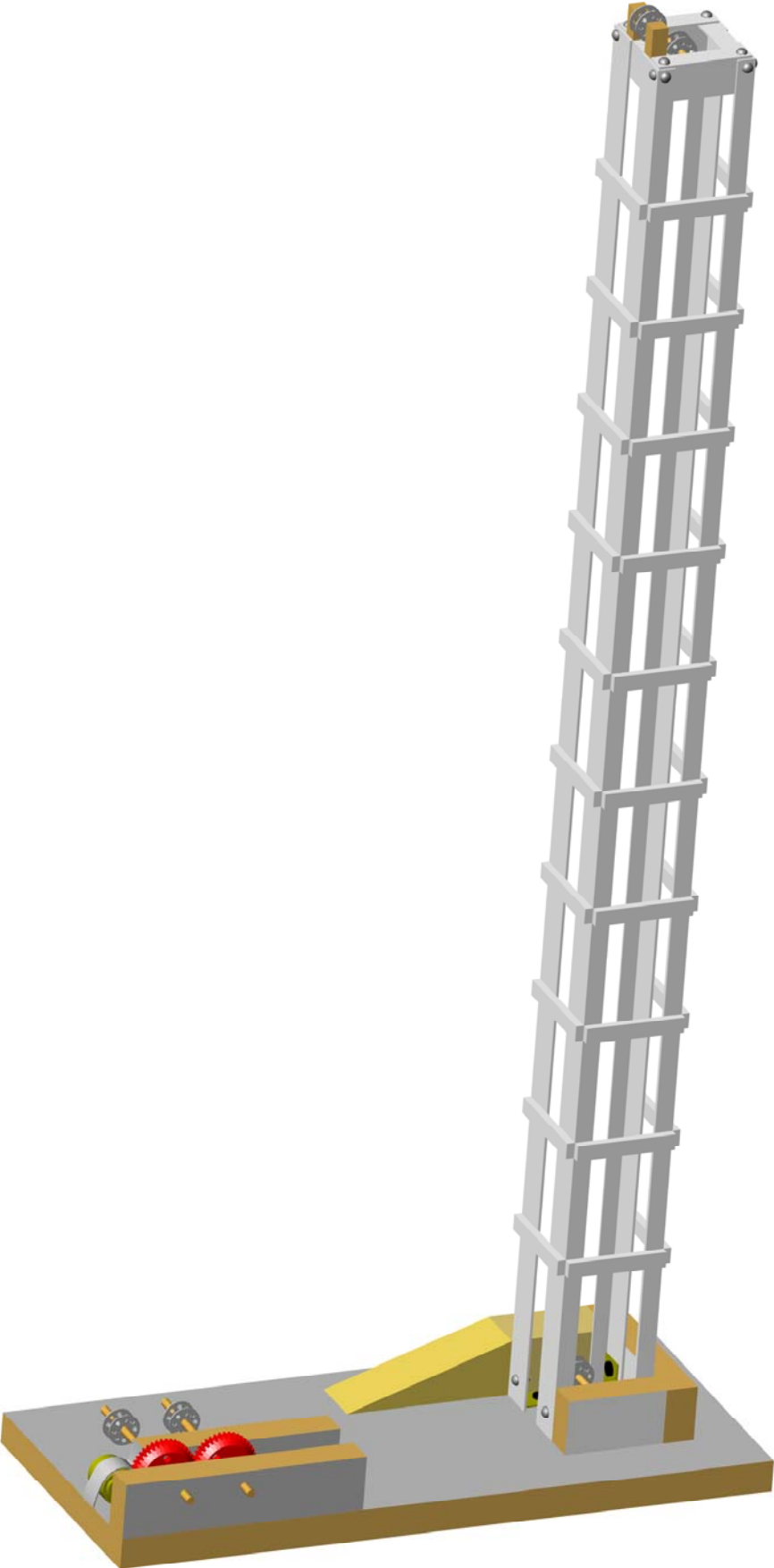


# 3D Rendering

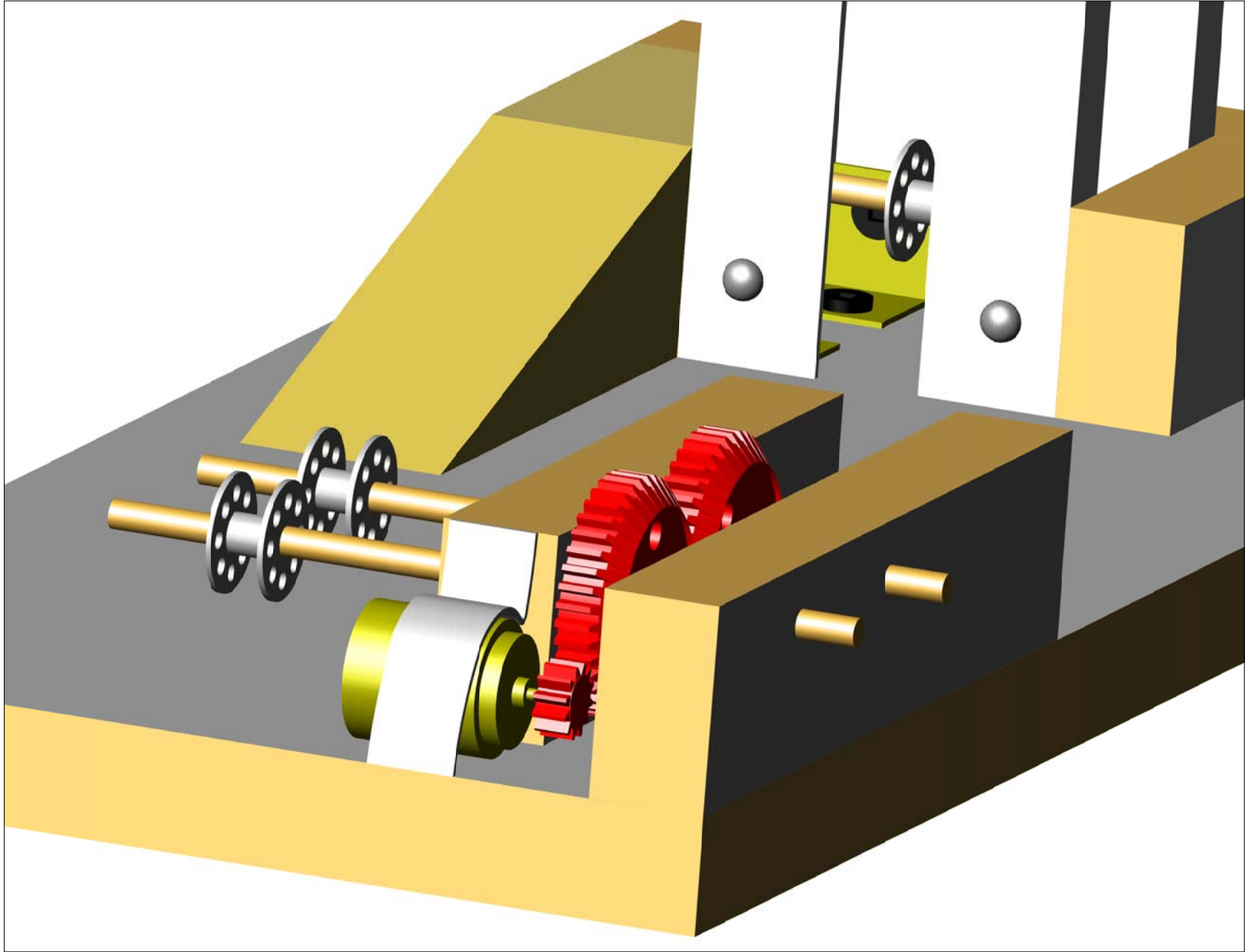


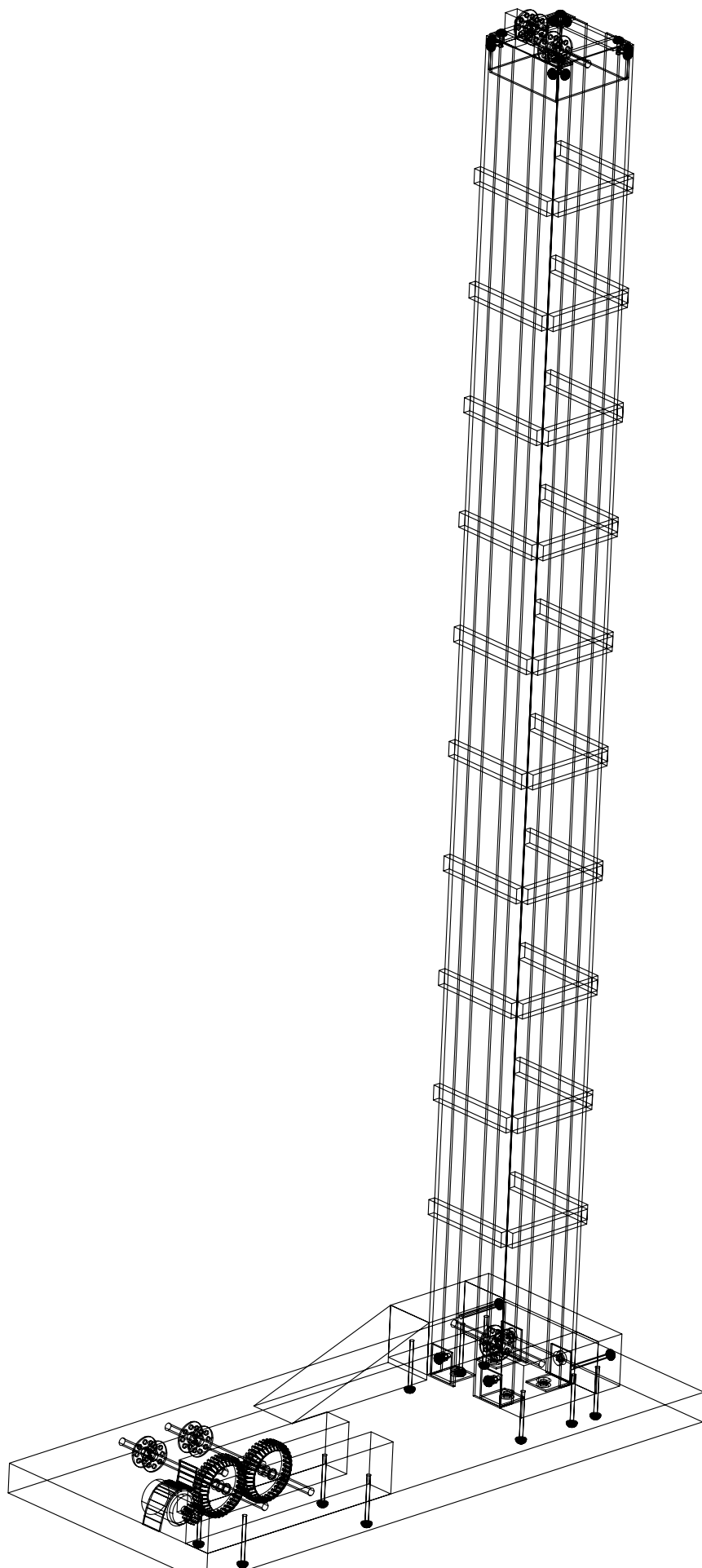
Jan. 24, 2005

Drawn By: Jethro Ma

The Elevator

ICE3M1 Final Project

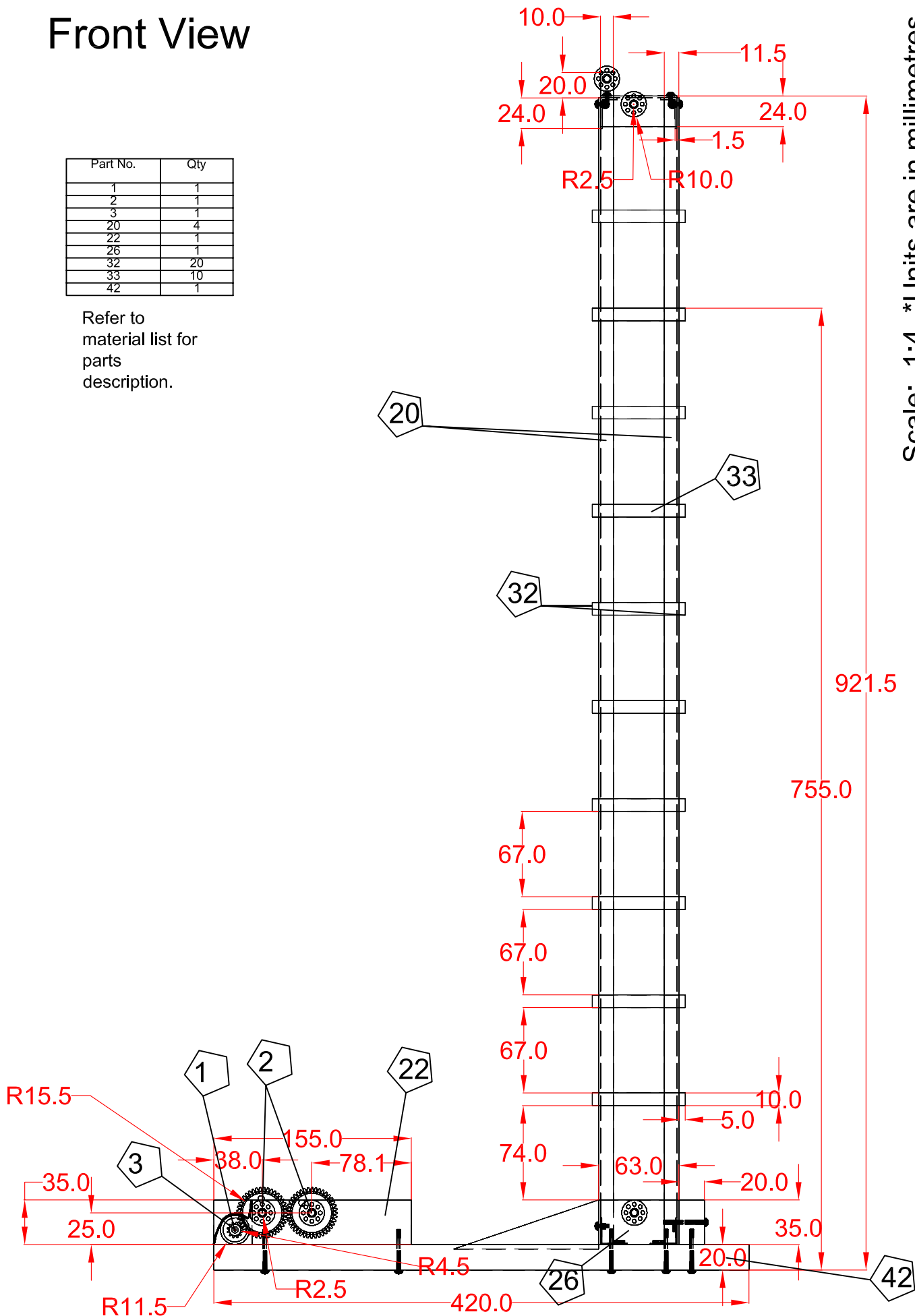




# Front View

Part No.	Qty
1	1
2	1
3	1
20	4
22	1
26	1
32	20
33	10
42	1

Refer to material list for parts description.



Scale: 1:4 \*Units are in millimetres

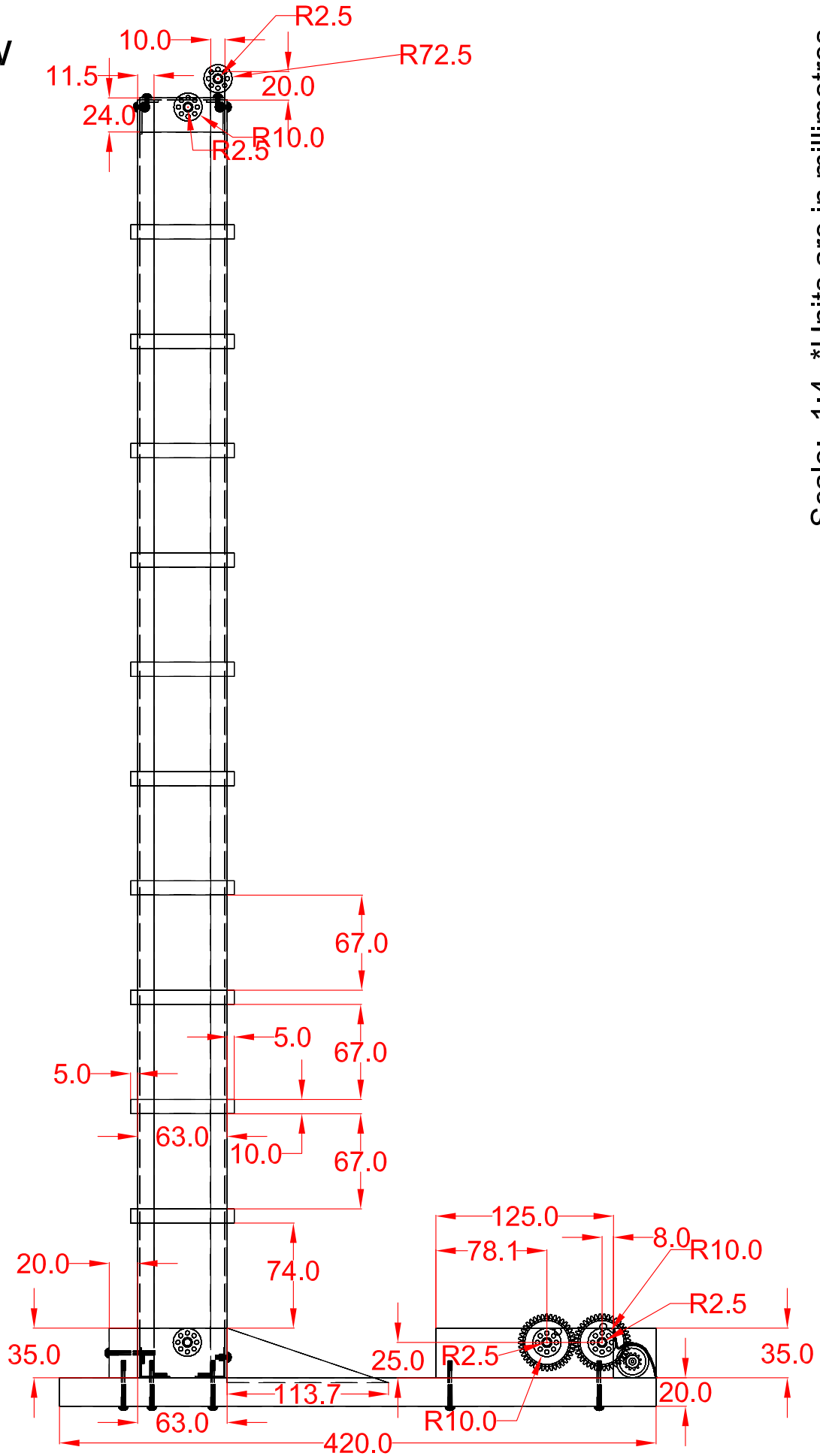
Jan. 24, 2005

Drawn By: Jethro Ma

The Elevator

ICE3M1 Final Project

# Back View



Scale: 1:4 \*Units are in millimetres

Drawn By: Jethro Ma

The Elevator

ICE3M1 Final Project

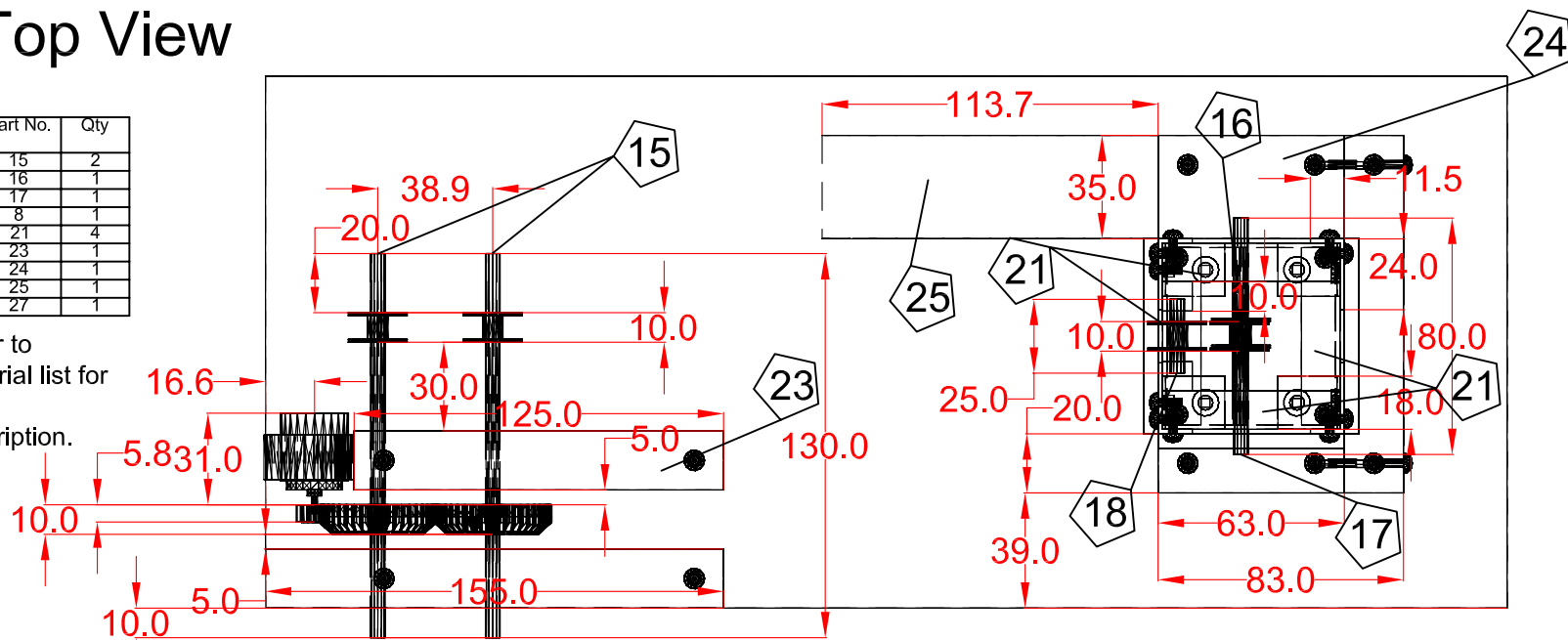
Jan. 24, 2005



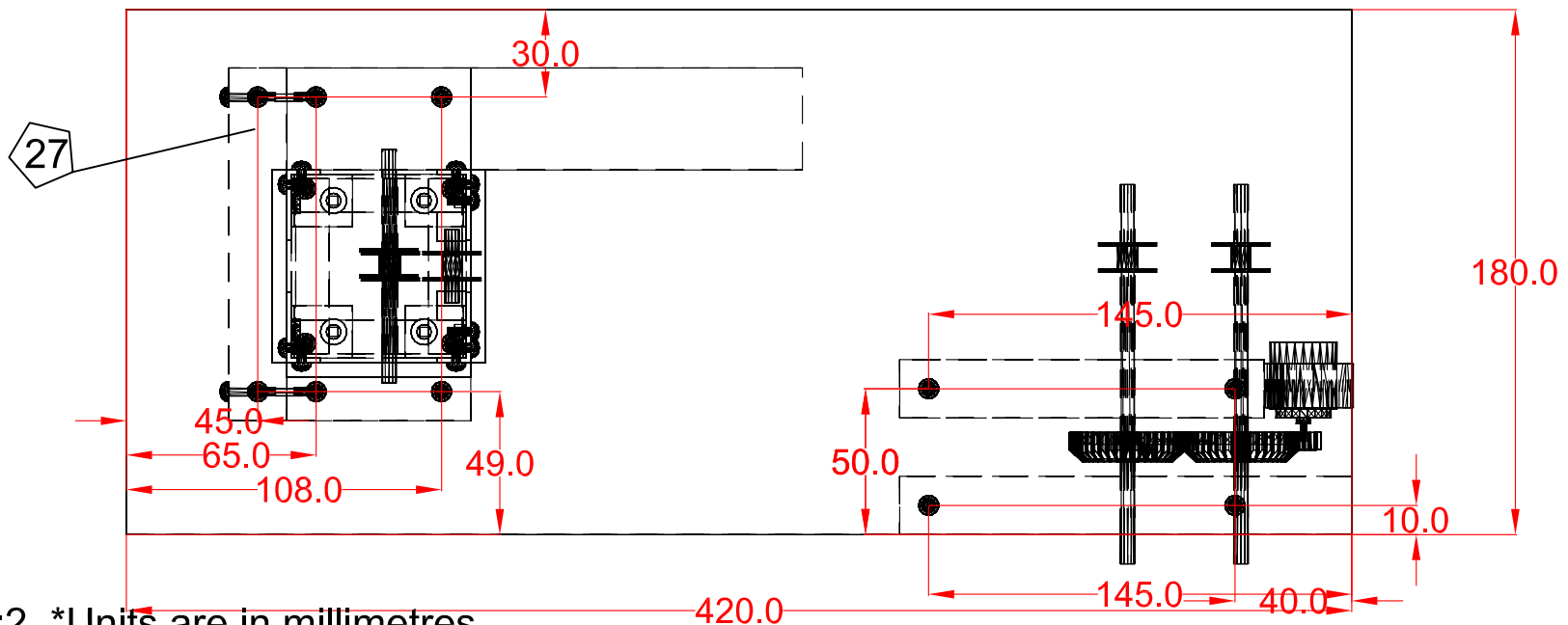
# Top View

Part No.	Qty
15	2
16	1
17	1
8	1
21	4
23	1
24	1
25	1
27	1

Refer to material list for parts description.



# Bottom View



Scale: 1:2 \*Units are in millimetres

## Elevator Project Material List

<b>Part No.</b>	<b>Description</b>	<b>Quantity</b>	<b>Supplier</b>
1	3-9v 1.2a DC model motor (2.3cm diameter x 3.7cm) (\$3.00 ea)	1	Unionville High School
2	Red plastic gear, 12 teeth, 1.3cm diameter x 0.6cm (\$0.50)	1	Unionville High School
3	Red plastic gear, 40 teeth, 4 cm diameter x 1 cm (\$0.50)	1	Unionville High School
4	Octal Bus Transceiver, 74LS245 (\$0.75)	1	Unionville High School
5	BCD to 7 segment Decoder, 74LS47N (\$1.00)	1	Unionville High School
6	BCD to Decimal Decoder, 74LS45 (\$2.50)	1	Sayal
7	7 Segment Display, LTS6760R (\$1.00)	1	Unionville High School
8	Solid copper wire (\$0.25)	3m	Sayal Electronics
9	110 ohms resistor, tolerance+/- 5 % (\$1 / 5pcs)	2	Unionville High School
10	5.5cm x 16.5cm breadboard (\$5.99 ea)	2	Sayal Electronics
12	Red LEDs (\$1/ 10pcs)	10	Unionville High School
13	TIP 31C Transistor (\$1.25 ea.)	2	Unionville High School
14	TIP 42C Transistor (\$1.25 ea)	2	Sayal Electronics
15	0.5 cm diameter x 13 cm pine wood rod (\$0.61 / metre)	2	Home Depot
16	0.5cm diameter x 6 cm pine wood rod (\$0.61 / metre)	1	Home Depot
17	0.5cm diameter x 8 cm pine wood rod (\$0.61 / metre)	1	Home Depot
18	0.5cm diameter x 2.5cm pine wood rod (\$0.61 / metre)	1	Home Depot
19	RadioShack 3-9 Volts Buzzer, max. 70dB (\$3.00 ea)	1	Sayal Electronics
20	White plastic ceiling "L" rails, 2.6cm x 1.3cm x 90cm (\$2.50 for 2.6cm x 1.3cm x 4m)	4	My Basement
21	White plastic ceiling "L" rails, 2.6cm x 1.3 cm x 6 cm (\$2.50 for 2.6cm x 1.3cm x 4m)	4	My Basement
22	2cm x 3.5cm x 15.5cm plywood block	1	My Basement
23	2cm x 3.5cm x 12.5cm plywood block	1	My Basement
24	3.5cm x 3.5cm x 6.3cm pine wood block	1	My Basement
25	3.5cm x 3.5cm x 11.4cm pine diagonally cut wood block	1	My Basement
26	2cm x 3.5cm x 6.3 cm plywood block	1	My Basement

27	2cm x 12.1cm x 3.5cm plywood block	1	My Basement
28	1cm x 1cm x 2cm plywood block	2	My Basement
29	0.5cm diameter x 1.5cm square screw	6	My Basement
30	0.7cm diameter x 3.5cm "+" drywall screws	12	My Basement
31	0.7cm diameter x 1cm "+" screws	14	My Basement
32	White foam board 0.5cm x 1 cm x 6.6cm	20	My Basement
33	White foam board 0.5cm x 1cm x 6.3cm	10	My Basement
34	Glue gun clear high temp. gluesticks for wood, 10cm	2	My Basement
35	White cotton string, 0.1cm diameter (\$2.99/20m)	2m	Home Depot
36	19mm Copper Furniture Braces, "L" bracket	4	My Basement
37	Steel sewing string reel, 2cm diameter x 1cm, 0.5 cm hole diameter	5	My Basement
38	Aluminum metal strip, 10cmx 1.5cm x 0.1cm	1	My Basement
39	Electrical Tape	1m	My Basement
40	White Cardboard, 8cm x 5cm x 0.2cm	4	My Basement
41	White Cardboard, 5cm x 5cm x 0.2cm	2	My Basement
42	Plywood, 18cm x 42cm x 2cm	1	My Basement

### **Suppliers Information**

Home Depot  
3155 Highway 7,  
Markham, Ontario, Canada.  
Tel: (905) 940-5900

Sayal  
3791 Victoria Park Ave.,  
Units 1-5,  
Toronto, Ontario, Canada.  
M1W 3K6  
Tel: (416) 494-8999  
Fax: (416) 494-9721